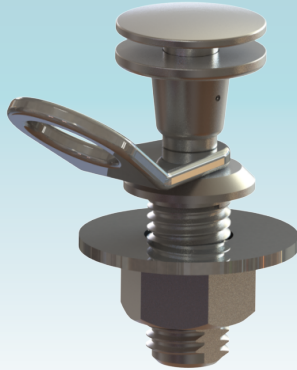




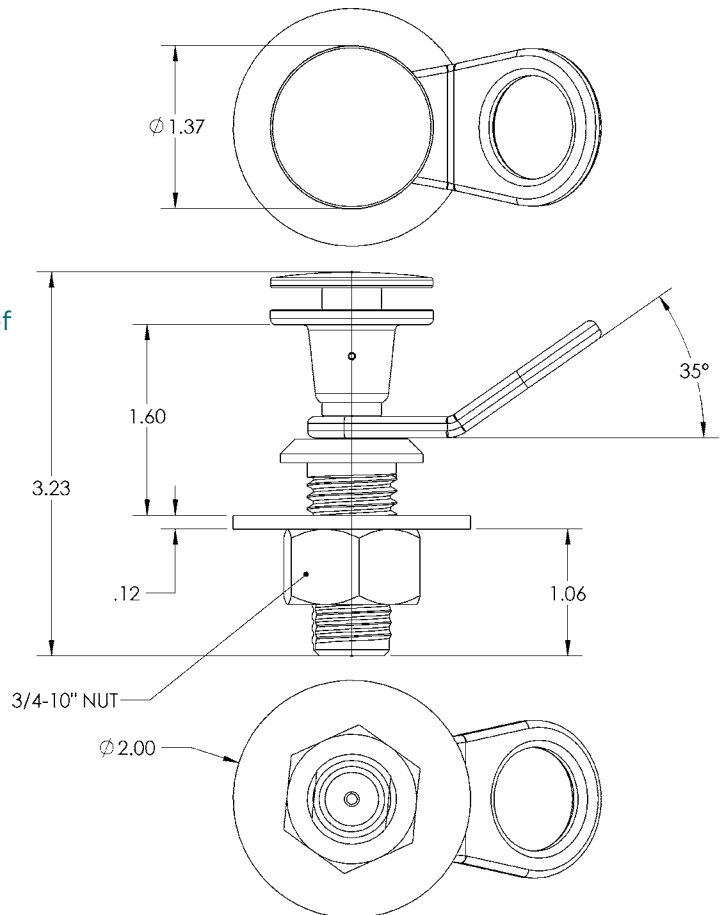
## STAINLESS STEEL QUICK RELEASE FENDER LOCK



Enhance dockside safety and convenience with the Stainless Steel Quick Release Fender Lock, which ensures secure, quickly stored fender lines that are set and maintained at your preferred length. Designed for fiberglass boats, this complete kit includes the locking Pull Pin and the Receiver. The Receiver features a spring-loaded hole cover that provides a finished look when the Pull Pin is not inserted, and protects the interior of the receiver from the elements. The locking Pull Pin features a large, flat 1-3/8" diameter push button and a 7/8" diameter hole to accommodate large line. When you're ready to set your fenders, simply insert the locking Pull Pin into Receiver.

### FEATURES & BENEFITS

- Manufactured from stainless steel Type-316L
- Features a large, flat 1-3/8" diameter button
- Custom button engraving possible for builders
- Mounting application fastens from the bottom of the Receiver



PART #	DESCRIPTION
F16-0205	Stainless Steel Quick Release Fender Lock